



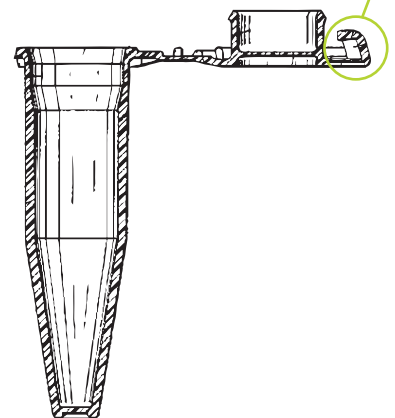
Microcentrifuge tubes with locking snap cap

Convenient, pierceable locking lids snap into place with one-handed operation

- Polypropylene (PP)
- Graduated
- Flat and pierceable cap
- Locking lid to secure the sample and avoid undesired opening
- Marking area
- Autoclavable and can withstand temperatures to -86°C
- DNase/RNase and pyrogen free
- Easy one-hand use
- Applications include:
 - Sample preparation
 - Sample storage and transportation
 - Centrifugation



Locking snap cap "hook" style



	Cat. No	Capacity, mL	Colour	Bottom shape	Max. Rcf (xg)	Diameter, mm	Length, mm	Sterile	Pack qty
1	15422545	0.5	Natural	Conical	30,000	10	30	No	500
2	15432545	1.5	Natural	Conical	26,000	13	39	No	500
3	15442545	2.0	Natural	Round	25,000	13	40	No	500